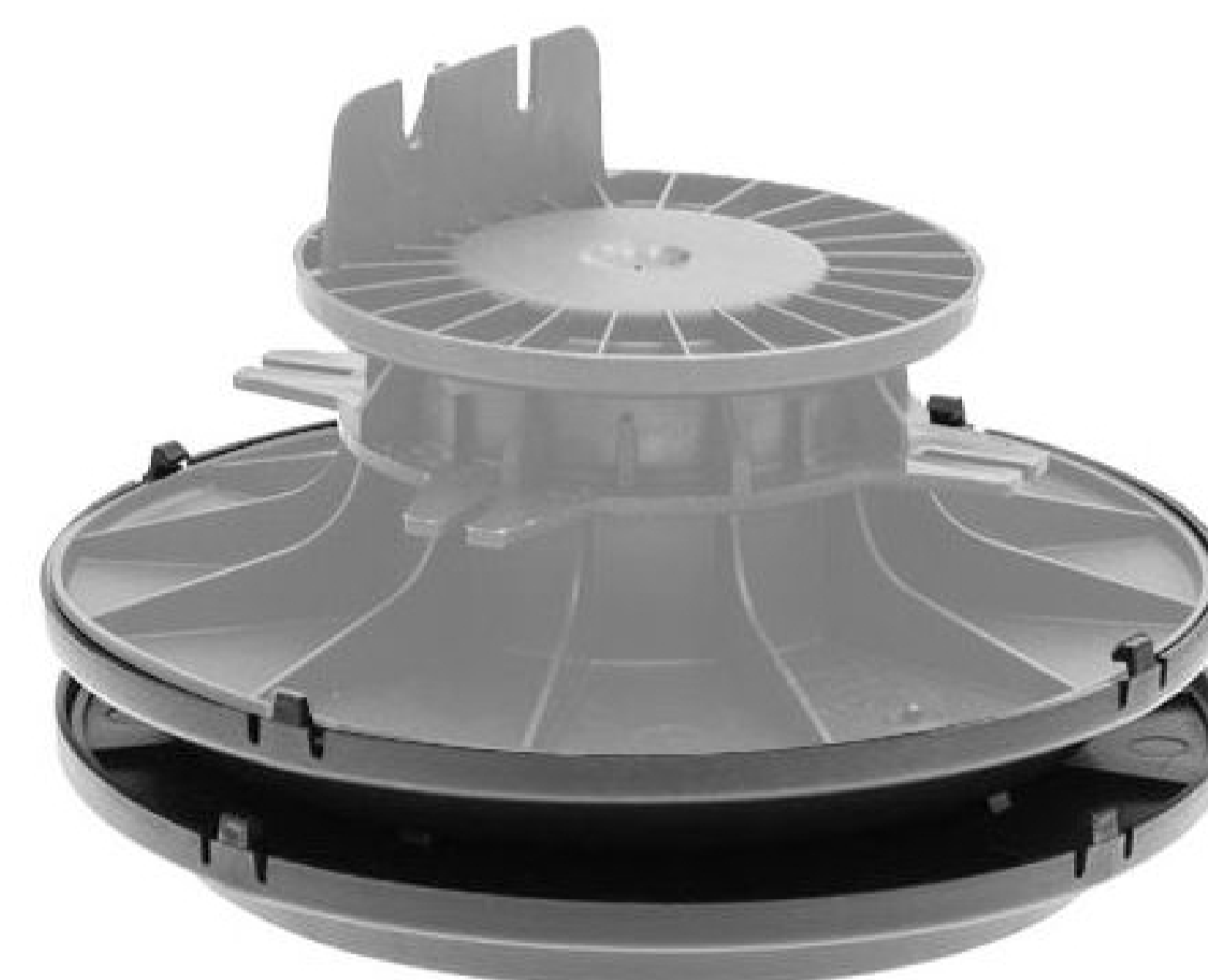
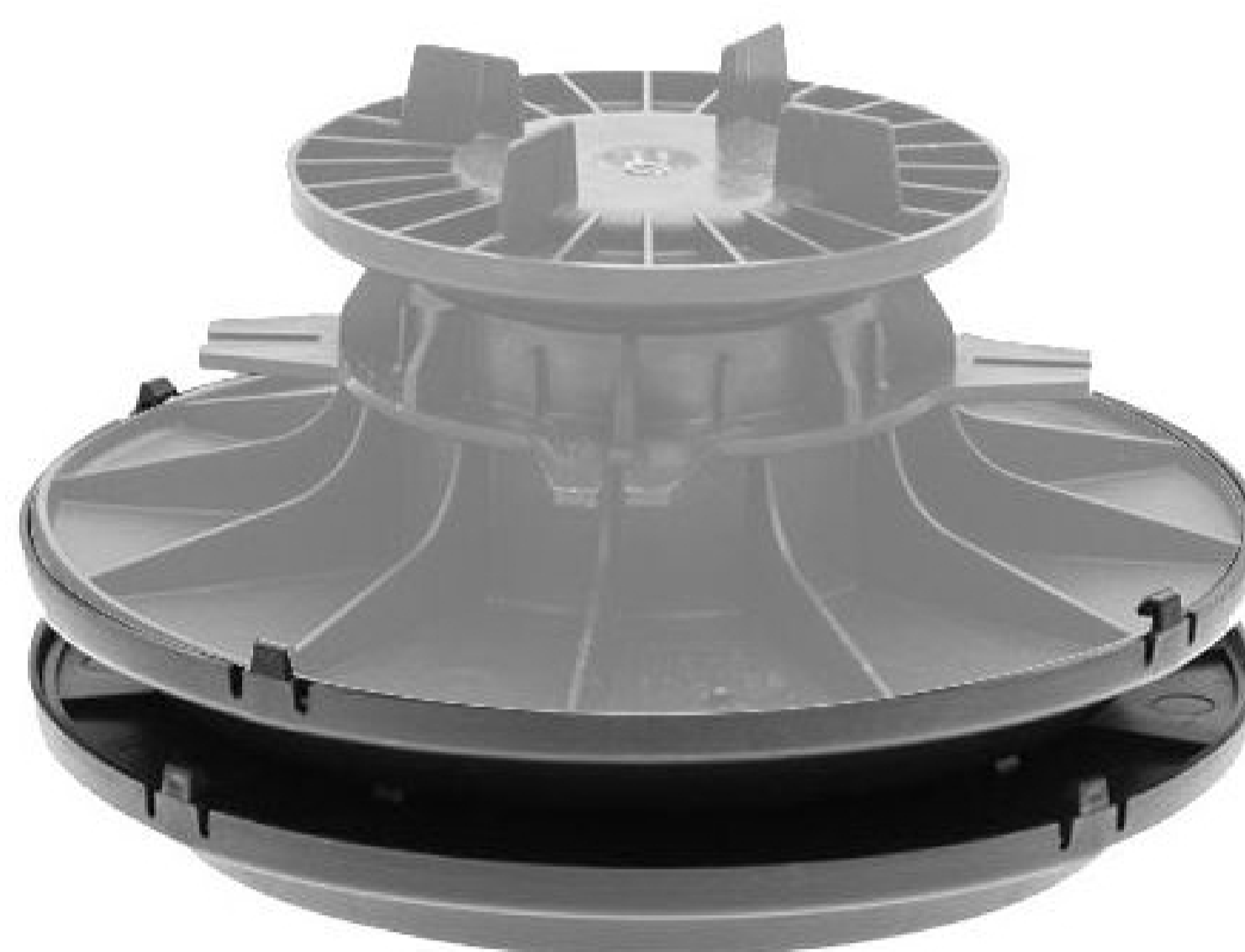




Self-leveling disc

Creates or compensates up to 5% of slope over 1 meter.



Application & Use

Allows to create or compensate up to 5% of slope on 1 meter. Ideal for irregular terrain.

Using the self-levelling disc adds 25 mm to the height of an adjustable pedestal. Not compatible with fix pedestal.

Technical Characteristics

Composition : polypropylene (recycled and recyclable)

Color : black

Origine : France

Garantee : 10 years

Conformity : norm DTU 43.1

Use : pedestrian only

Disc diameter : 200 mm

Disc height : 25 mm

Resistance to temperatures : from -40°C to +60°C

Resistances to atmospheric agents : UV and freeze

Product Advantage

- + Allows installation on uneven or sloping ground
- + Compatible with paving and decking pedestals
- + Practical, it clips to the pedestal base